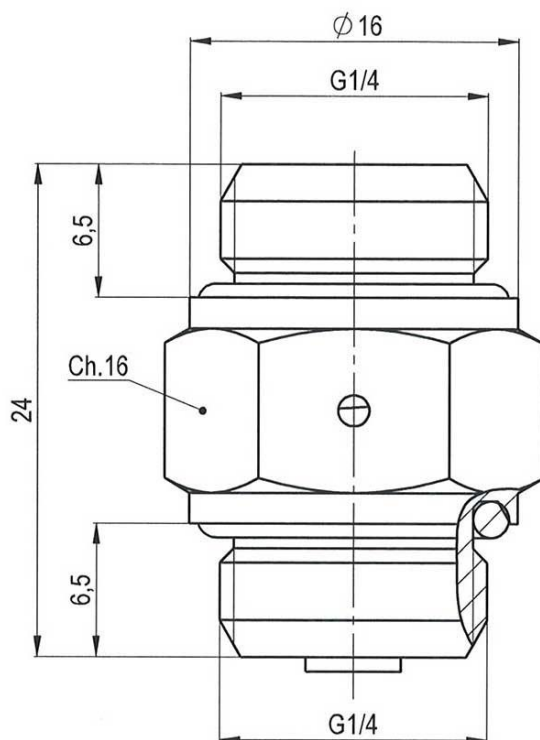


This preset pressure regulator guarantees optimal pressure conditions, especially in blow guns. The pressure regulator is inserted into the compressed air line. Fits onto any 1/4" thread and maintains the pressure at optimum, thus helping to reduce the costs for energy. Tamper-proof.

Housing:	Brass
Spring:	Stainless steel
Piston:	Brass
O-ring:	NBR
Max. pressure:	12 bar
Temperature:	-20 °C to +60 °C
Flow rate:	0 - 400 l/min
Medium:	Compressed air
Weight:	14 g



638.42



### Mini pressure regulators

Article No.	Type No.	Thread G	Working pressure (preset)	SW mm	Length mm
101506	638.42	1/4 male/male	2.0 bar	14	24.0
101507	638.44	1/4 male/male	4.0 bar	14	24.0
101508	638.46	1/4 male/male	6.0 bar	14	24.0

